



SmartBoom® PRO-E

Delivering the best in headset performance

The NEW SmartBoom PRO-E is the latest addition to the SmartBoom line of coaching headsets that provide exceptional comfort, durability, and outstanding audio performance in the most demanding playing environments.

The SBP-E features our revolutionary SmartBoom technology, allowing the microphone boom to act as an On/Off switch for quick microphone muting. Additionally, the headset provides high ambient-noise reduction and produces high-quality audio using a unidirectional electret microphone that is optimized for voice communications to provide voice clarity in loud stadiums.

Unlike many other headsets on the market, the SBP-E headset has a low clamping force and soft ear cup padding which means less “squeeze” on the user’s head. The headset also features an adjustable headband to allow for a variety of head sizes and increased comfort resulting in lower user fatigue.



SBP-192E

Introducing the NEW SmartBoom® PRO-E

A new headset featuring SmartBoom technology, ideal space for sponsorship branding, and compatible with CoachComm Cobalt.

FEATURES

www.coachcomm.com

- SmartBoom® Technology - Raising the Boom Mutes the Mic
- Sleek, Low Profile Design Available in Single- and Dual-Ear Models
- Flat Surface Areas Provide Ample Branding Space for Sponsors
- Outstanding Audio Quality with Enhanced Acoustic Isolation
- Electret, Noise-Cancelling Unidirectional Microphone
- Rubber Coating Provides Enhanced Design and Durability
- Collapsible Design for Easy Storage
- Flexible, Ambidextrous Swiveling Mic Boom
- Detachable Cable Allows for Quick and Easy Field Repairs and Connector Options
- Soft-Padded Ear Pads and Head Pads can be Easily Replaced
- Cable Terminated with Dual Mini (3.5 mm TRRS)



SBP-191E



205 Technology Parkway
Auburn, AL 36830

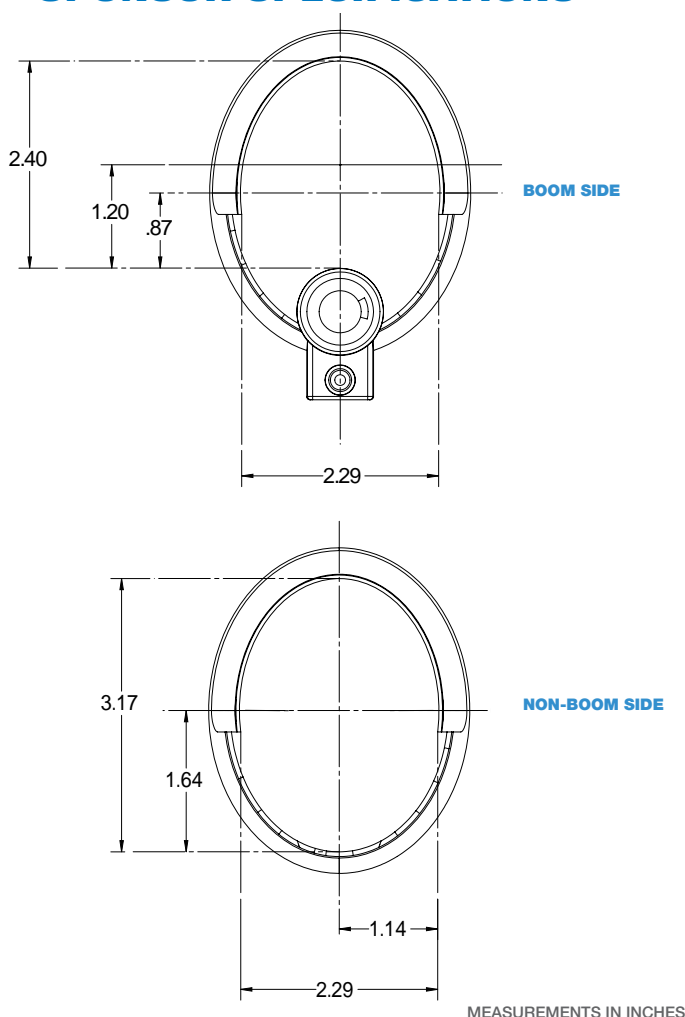
1.800.749.2761
www.coachcomm.com

©2019 CoachComm, LLC. All rights reserved.
CoachComm, SmartBoom and Tempest logos are registered trademarks of CoachComm, LLC.

WIRING DIAGRAM FOR CONNECTOR INPUTS

PIN CONNECTIONS		
Headset Plug Pin	Cable	Dual Mini
8	Blue – Speaker R+	R (Right)
7	Brown – Speaker L+	NC
6	Red – Speaker R-	S (Right)
5	Orange – Speaker L-	NC
2	Yellow – Mic+	T (Left)
1	Green – Mic-	S (Left)
3	Uncoated – Shield	NC
4	No Connect	NC

SPONSOR SPECIFICATIONS



MEASUREMENTS IN INCHES

SmartBoom® PRO Headset

>> Coaching Communications

Microphone

Microphone Type	Electret Condenser
Frequency Response	20–16,000 Hz
Mic Sensitivity	-45 ± 2 dBV/Pa at 1 kHz
Pattern	Unidirectional
Output Impedance	1–1.9 kΩ

Speaker (Headphone)

Frequency Response	20–20,000 Hz
Nominal Impedance	100 Ω
Sensitivity at 1 kHz	
Single	117 dB SPL/mW
Double	121 dB SPL/mW
Speaker Type	Dynamic
Max Input Power	500 mW

Cables

Termination at Ear	Removable (Crossbolt)
Termination at Jack	Dual Mini (3.5 mm TRRS)
Length	5.00 ft. (1.52 m)
Outside Diameter	0.24 in. (6.00 mm)

Physical Features

Outer Ear Cup Surface Diameter	
With Boom	2.40 in. (60.96 mm)
Without Boom	3.17 in. (80.52 mm)
Mic Boom Length	8.50 in. (215.90 mm)
Weight (without cable)	
Single	8.1 oz (229.63 g)
Double	11.4 oz (323.18 g)
Cable	3.8 oz (107.73 g)

Manufacturer reserves the right to change specifications to reflect latest changes in technology and improvements at any time without notice.

©2019 CoachComm, LLC. All rights reserved.
CoachComm, SmartBoom and Tempest logos are registered trademarks of CoachComm, LLC.

D0000488_A - SBP19E



205 Technology Parkway
Auburn, AL 36830
1.800.749.2761

www.coachcomm.com