

How to Attach a Safety Cable to a Suction Cup Mount

This document outlines how to attach a Safety Cable (P/N 00002534) to a Suction Cup Mount (P/N 00002341).

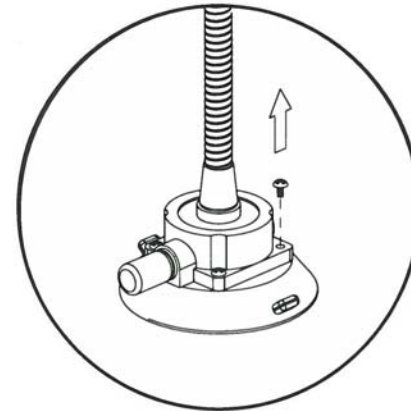


800.749.2761 • www.coachcomm.com

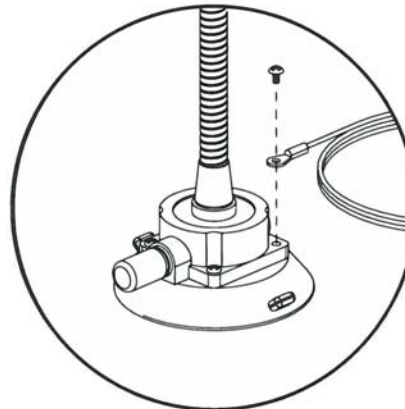
© 2013 CoachComm, LLC. All Rights Reserved
PI_DirAnt_SftyCable_D0000102_2013_RevA

Tools Required:

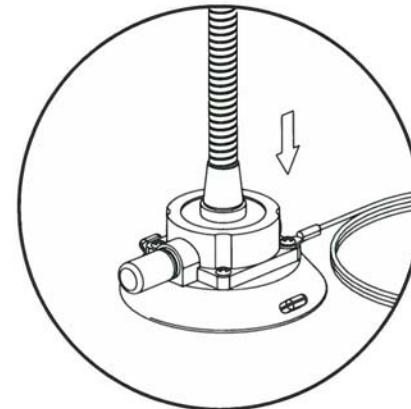
#2 Phillips head
screwdriver



1. Remove screw as shown.



2. Insert screw through eyelet of safety cable.



3. Replace screw as shown.