



Safety Information



Safety Information

The following pages detail important safety information related to the ownership and operation of CoachComm's X-System. Please ensure all personnel review the warnings and safety recommendations included in this document before operating, transporting, or towing the sideline cart in order to prevent equipment damage and/or serious personal injury.

Throughout this document you will see the following indicators for important safety information and alerts:



WARNING: Ignoring these warnings may cause permanent or serious injury or death as a result of incorrect operation.



CAUTION: Ignoring these cautions may cause moderate injury or property damage as a result of incorrect operation.

Electrical Safety



WARNING: ELECTRIC SHOCK RISK

- » Do not submerge any part of X-System in water.
- » Refer all servicing to qualified service personnel. Do not attempt to modify, disassemble, or open any X-System components. Exposing the electrical system may result in equipment damage and serious personal injury, including electric shock. Equipment damage caused by unqualified personnel may void the product warranty associated with your X-System.



CAUTION: SYSTEM DAMAGE RISK

- » Protect the power cords from foot traffic. Do not allow cords to be crimped or pinched, particularly at plugs, electrical outlets, and the point they exit from the apparatus. Routinely inspect power cords for any signs of fray or extensive wear. Immediately replace any damaged cords.
- » Keep all ventilation openings clean and unobstructed. Failure to do so could cause the system to overheat, which could cause personal injury or property damage.
- » Unplug X-System during lightning storms to prevent power surges that could damage electrical components or cause fire.

At a minimum, the X-System sideline cart requires one dedicated 15 amp 120V circuit. You should test and verify that any circuits are working properly on a routine basis.

Battery Safety

Sideline Cart Inverter Battery Safety



WARNING: EXPLOSIVE GASES RISK

- » Keep sparks, flames, and metal objects away from batteries, sideline cart, and area of operation. The gas exhaust from the batteries causes fire and explosions. This may cause SERIOUS INJURY or DEATH.
- » Ventilate the area when charging batteries or operating the sideline cart in an enclosed space.
- » CoachComm recommends keeping a Class-D fire extinguisher available when charging inverter batteries. Though the batteries are sealed, the gases inside are highly flammable.

**WARNING: CORROSIVE MATERIAL RISK**

- » Wear a full face shield, chemical-resistant gloves, and protective clothing/shoes when working on or near batteries.
- » Battery acid is a harmful, corrosive material and may cause permanent injury if it comes into contact with skin or eyes. If contact with skin or eyes occurs, immediately flush with water and seek medical assistance.

**WARNING: ELECTRIC SHOCK RISK**

- » The electricity stored in batteries can cause electric shock resulting in serious bodily injury or death, even at low voltages.
- » When servicing or inspecting electrical components, unplug from AC power and turn the battery bank breaker off to avoid electrical shock or damage to the electrical system.
- » Use insulated tools when working near batteries or electrical connections to avoid electrical shock or damage to the electrical system.

**CAUTION: SYSTEM DAMAGE RISK**

- » Perform a periodical visual inspection to check that all connections and battery cables are securely attached to the terminal and tight; improper connections can result in system malfunction, battery post breakages, meltdown, or fire.
- » Do not lay any objects on batteries or terminals to avoid short circuiting of components or wiring.
- » Do not wear metal jewelry such as rings, watches, chains, etc., when servicing the sideline cart batteries to avoid short circuiting of components or wiring.
- » Additional maintenance and off-season storage instructions related to the Inverter battery are provided on page 50 of the *X-System Operating Manual*.

Radio Pack (RP) Battery Safety**WARNING: EXPLOSION AND FIRE RISK**

- » Battery explosion is possible if incorrect type is used. Use only batteries approved for use with X-System Radio Packs. If powering the Radio Pack with AA batteries, use only alkaline or carbon-zinc batteries.
- » Do not leave the battery unattended while charging. Immediately unplug unit if battery begins to swell or emit smoke while charging. If battery bursts or chemicals begin to leak out of battery housing, the chemicals will react with the air and cause a fire.
- » CoachComm recommends keeping a Class-D fire extinguisher available when charging lithium-polymer batteries. The chemicals inside lithium-polymer batteries are highly flammable.
- » Do not allow batteries to overheat (reach temperatures of above 140 degrees Fahrenheit).
- » Batteries that appear swollen, deformed, or damaged, or that do not fit properly should never be used. Properly dispose of any batteries in this condition in accordance with the instructions provided by your local authorities. For more information and local drop-off sites, visit <http://www.call2recycle.org/>.

Transit Safety



WARNING: SEVERE INJURY AND SYSTEM DAMAGE RISK

- » Never allow individuals to stand, sit, climb, or ride on any part of sideline cart to prevent injury.
- » Never drive or tow sideline cart near drop-offs, ditches, or embankments; reduced traction could result in slippage, tipping, or other loss of control of your tow vehicle and/or sideline cart.
- » Never drive or tow sideline cart on the road shoulder or near slopes greater than 15%. Reduced traction could result in slippage, tipping, or other loss of control of your tow vehicle and/or sideline cart.
- » Never operate on wet or slippery slopes. Reduced traction could result in slippage, tipping, or other loss of control of your tow vehicle and/or sideline cart.
- » Do not turn on a slope. Reduced traction could result in slippage, tipping, or other loss of control of your tow vehicle and/or sideline cart.
- » Secure all system components, doors, and drawers before transit to prevent damage to those parts during transit.
- » CoachComm recommends having assistance from multiple people when the sideline cart is in transit. Additional people can provide visibility and terrain cues to the tow vehicle or drive system operator.

Drive System Safety



CAUTION: SYSTEM DAMAGE AND INJURY RISK

- » Ensure a tight grip on sideline cart drive system handle when in operation.
- » The emergency stop/reverse button on the drive system handle provides an immediate halt and brief reversal in the event of a collision or operator fall.

Utilize the drive system's horn button to signal the sideline cart's movements for nearby vehicles and people.

If the drive system is inoperable, it can be disengaged and overridden with the mechanical slider behind the back left wheel (accessible from the side of the cart opposite the drive system handle.)

Towing Safety

You should only tow the sideline cart behind a vehicle when the drive system is inoperable.

CoachComm recommends the following types of tow vehicles for the sideline cart: All Terrain Vehicle, golf cart or other electric towing vehicle, utility vehicle, or compact or sub-compact tractor.

If your tow vehicle will not travel by itself over the terrain by which you plan to tow the sideline cart, then it is not a suitable terrain for the sideline cart to traverse. In addition, most tow vehicles are capable of going over terrain that the sideline cart is not. Be cautious and find a different route to prevent equipment damage and a potential voiding of the X-System warranty.

WARNING



- **Only authorized individuals allowed to operate and drive cart**
- **Read all instructions and warnings before operating cart**
- **CoachComm recommends using a spotter when driving the cart**
- **Ignoring the warnings may cause serious injury or death**

Figure 1: Drive System Handle Label

When towing your sideline cart behind a vehicle, follow the safety instructions below:



CAUTION: SYSTEM DAMAGE AND INJURY RISK

- » Have a complete working knowledge of your tow vehicle and know how to handle it with the sideline cart attached.
- » Make sure the sideline cart's brake is disengaged via the mechanical slider prior to towing. Failure to do so will result in drive system damage.
- » Turn off the battery bank breaker and ensure the system is disconnected from AC power prior to towing.
- » Make sure towing hitch connections are properly secured prior to towing. Only use the manufactured sideline cart hitch to connect to the tow vehicle; do not connect a vehicle to the cart's drive system or axle. Failure to do so may result in sideline cart damage or injury.
- » Drive at a maximum speed of 3 mph. Higher speeds may cause a tip hazard or damage to the electric drive system.
- » Avoid sharp turns to prevent damaging the front steering system.
- » Decrease speed at all corners, and watch the swing of both the rear of the tow vehicle and the sideline cart.

Parking Safety

The sideline cart drive system uses a magnetic brake, which engages as a wheel brake and parking brake when the drive system is powered off.



CAUTION: SYSTEM DAMAGE AND INJURY RISK

- » Never park the sideline cart on a steep grade or slope. Reduced traction could result in slippage, tipping, or other loss of control of the sideline cart.
- » Install and adjust the sideline cart stabilizers on all four corners of the sideline cart to prevent tipping when parked and in use.
- » Do not use blocks to increase height of system.

Transportation Safety

When transporting your sideline cart in a truck, follow the safety instructions below to prevent damage to your system or nearby equipment.



CAUTION: SYSTEM DAMAGE RISK

- » Secure the cart in your truck using the tie-down points indicated in Figure 2 and Figure 3 below.
- » CoachComm recommends tying down with four (4) cargo straps rated for at least 5000 lbs.
- » Always ensure that the sideline cart's brake is engaged. (The brake lever should be in Position A as indicated on page 6 of this document.)
- » Protect the corners and edges of your cart by padding them with cardboard.
- » Stop often to check your load.
- » Inspect cargo straps often and replace them if any damage is noted.

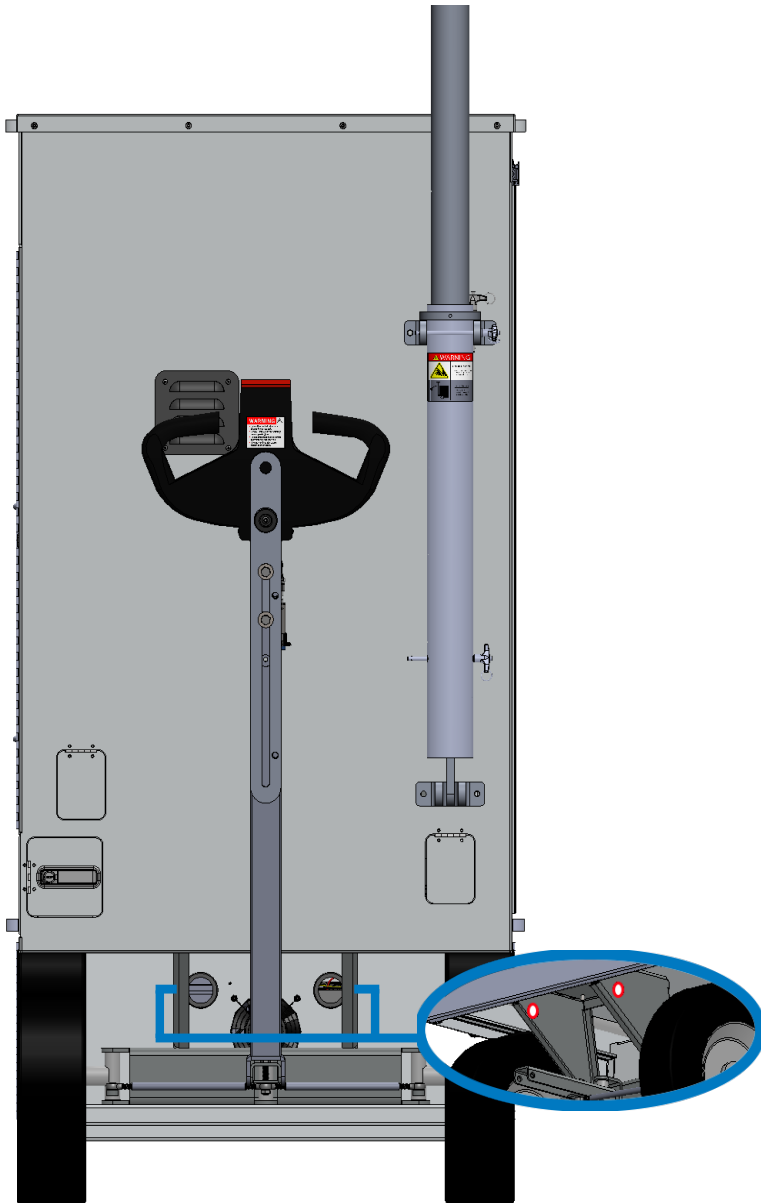


Figure 2: Sideline Cart Left Side Tie Down Points

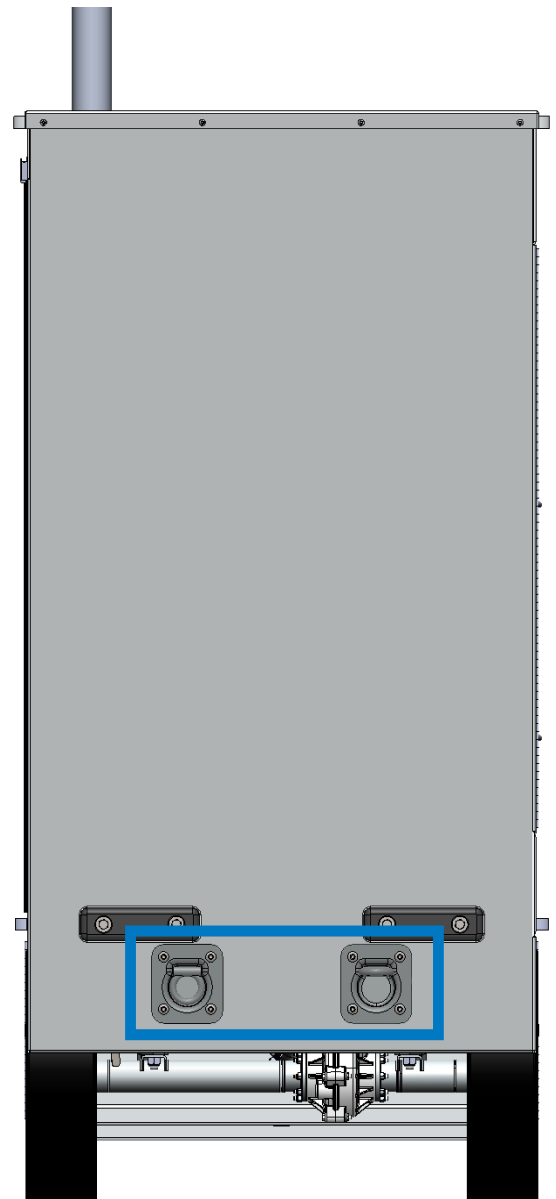


Figure 3: Sideline Cart Right Side Tie Down Points

Brake

The sideline cart drive system uses a magnetic brake, which acts as a wheel brake and parking brake when the drive system throttle is not in use. Even with no power to the cart, the brake is engaged.

First-Generation Cart - Position A

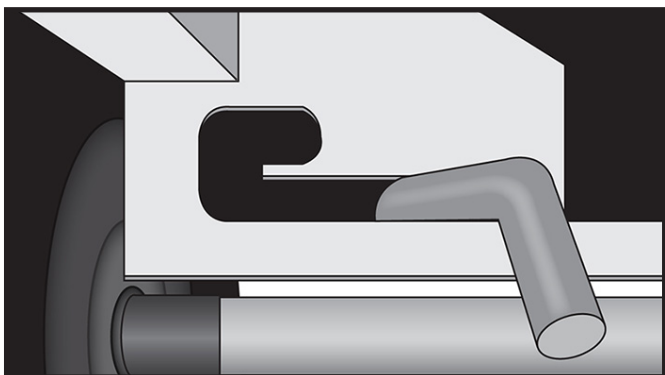


Figure 4: First-Generation Cart Brake Lever Position for Drive System Operation

First-Generation Cart - Position B

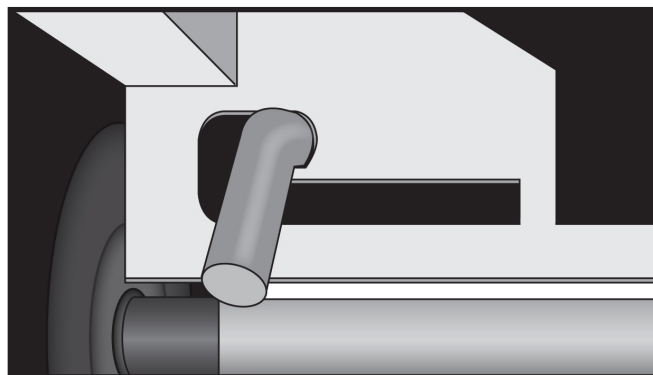


Figure 5: First-Generation Cart Brake Lever Position for Manual Towing

Note: Second-generation model X-System carts (those with a black top) have a different brake lever than first-generation carts (those with a silver top). See Figure 6 and Figure 7 below.

Second-Generation Cart Position A



Figure 6: Second-Generation Cart Brake Lever Position for Drive System Operation

Second-Generation Cart Position B



Figure 7: Second-Generation Cart Brake Lever Position for Manual Towing

Protecting Yourself and Those Around You

Allow only responsible individuals who are familiar with these general safety rules and operating instructions to use your X-System. Never allow people unfamiliar with these rules and instructions to set up or operate your system.



WARNING: SEVERE INJURY AND SYSTEM DAMAGE RISK

- » The Radio Transceiver mast is top-heavy and can be a crush hazard. Ensure a tight grip when engaging or releasing safety pins to prevent serious personal injury or system damage.



CAUTION: SYSTEM DAMAGE AND INJURY RISK

- » The drive system handle and sideline cart doors, drawers, and compartments can be pinch hazards. Utilize all installed safety pins on movable components.
- » Never, under any conditions, remove, bend, cut, fit, weld, or otherwise alter standard parts of the X-System. Modifications to your system could cause personal injuries and property damage and will void your warranty.
- » Only use attachments/accessories/cables/hardware provided by the manufacturer.
- » Do not remove or cover any safety labels on the sideline cart. If a label is damaged or removed, contact a CoachComm support technician for a replacement.

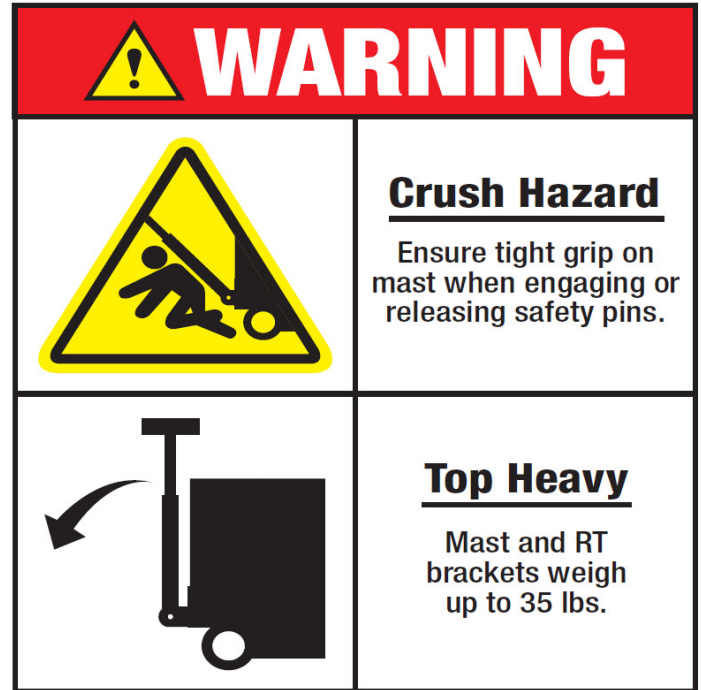


Figure 8: Crush Hazard Label